

**EURO  
2000**

Cassette di derivazione EU / Box EU

# Cassette tipo EU

Box type EU

RoHS ✓ CE  made in Italy



Cassette pressofuse in alluminio successivamente sabbiate o verniciate colore grigio RAL 7035. Pareti lisce con spessore superiore a 3 mm pertanto adatte alla foratura e filettatura. Predisposizione all'applicazione sul fondo delle cassette di profilati tipo DIN 46277 o di morsettiere. Una o più viti interne per la messa a terra. Nelle cassette sono ricavate guide per l'inserimento di schede o circuiti stampati. Possibilità di fissaggio delle cassette tramite dei fori esterni al perimetro di tenuta della guarnizione. Le viti del coperchio sono in **Acciaio Inox**. Guarnizione in neoprene. Grado di protezione IP65 (realizzato a contenitori completi). Temperature d'impiego -20° +100°C.



*Enclosures made of die-cast aluminium alloy and them sandblasted or varnished with grey RAL 7035. They have smooth walls, with thickness more than 3 mm which therefore can be threaded. On their bottom is possible to fix sections type DIN 46277 or terminal boards. They have one or more grounding screws inside. It's possible to fix the boxes through holes external to gasket perimeter. Inspection cover's screws are made of **Stainless Steel**. Provided with neoprene gasket. The enclosure can be fixed by means of holes. IP65 protection degree (obtained with complete enclosures), temperature of use -20°C +100°C.*



BOX EU

Cassette tipo / Box type

# Cassette tipo EU

Box type EU



Settori di Impiego / Areas of application



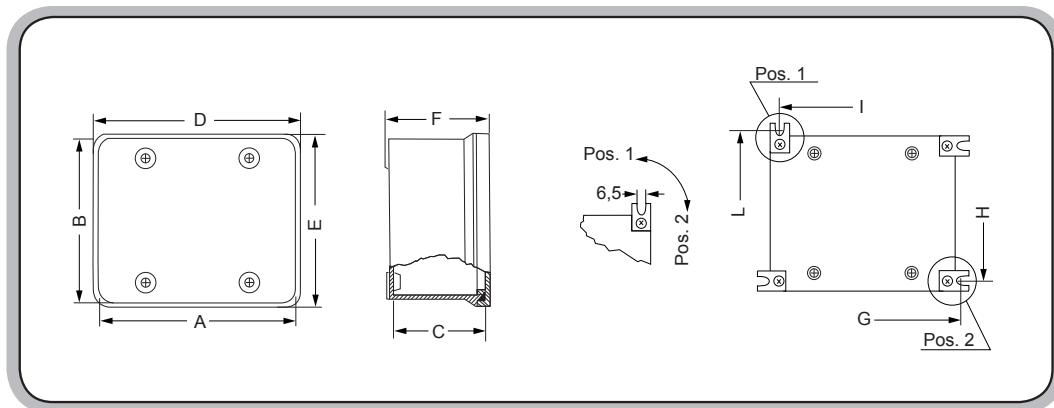
**Caratteristiche / Characteristics:**

All'interno della cassetta sono predisposti dei fori per il fissaggio a parete della stessa e in alternativa si possono utilizzare dei piedini in dotazione applicabili sulla base esterna e orientabili per evitare impedimenti di posizionamento nel montaggio

In the box are prearranged a few holes for fixing on wall of it. In alternative it is possible to use a few supplied feet that can be applied on external base. They can be oriented in order to avoid impediments of positioning during assembling

Codice Code	A	B	C	D	E	F	Piedini posizione 2 Feet position 2		Piedini posizione 1 Feet position 1	
							G	H	I	L
EU070	65,0	65,0	43,0	70,0	70,0	45,0	-	-	-	-
EU100	95,0	50,0	50,5	100,0	55,0	55,0	-	-	-	-
EU102	102,0	102,0	65,0	106,0	106,0	71,0	111,0	82,0	82,0	111,0
EU135	135,0	110,0	65,0	142,0	117,0	71,0	144,0	89,0	114,0	119,0
EU160	160,0	135,0	74,0	167,0	142,0	81,0	170,0	115,0	140,0	145,0
EU185	185,0	160,0	89,0	192,0	167,0	96,0	195,0	139,0	164,0	169,0
EU245	245,0	210,0	94,0	254,0	219,0	101,0	254,0	189,0	224,0	219,0
EU295	295,0	255,0	117,0	302,0	262,0	130,0	302,0	232,0	272,0	262,0

disegno dimensionale / reference details



# Cassette tipo EU

Box type EU



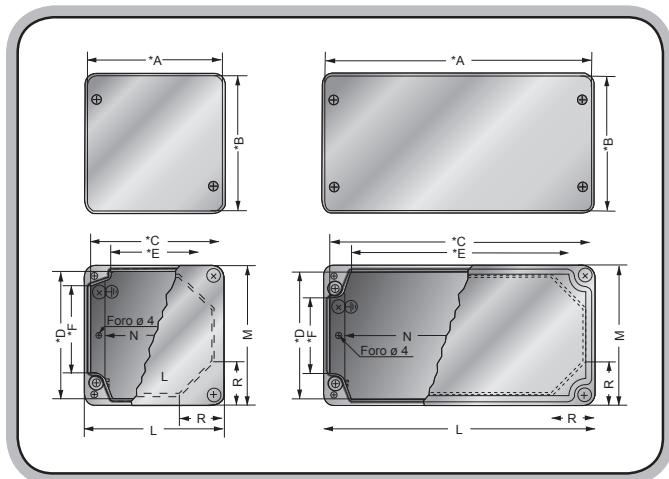
Cassette tipo / Box type

Settori di Impiego / Areas of application

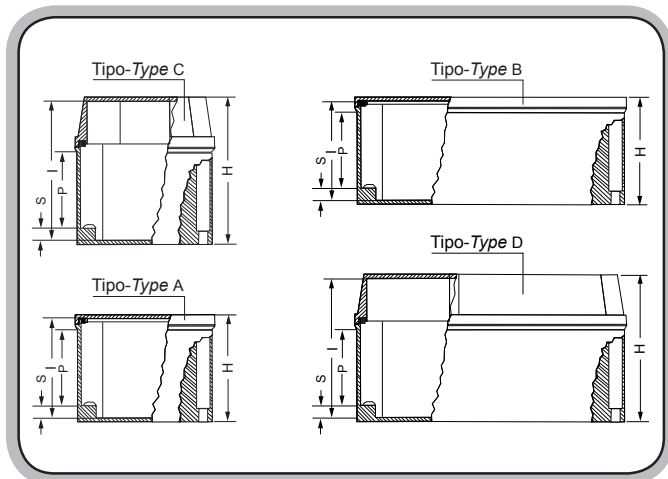


Costruzione <i>Construction</i>	Caratteristiche pareti <i>Characteristics of boards</i>	Installazione cassetta <i>Box installation</i>	Colore <i>Color</i>	Componenti <i>Components</i>	Protezione <i>Protection</i>	Temp. di esercizio <i>Temp. of exercise</i>	Norme <i>Norms</i>
Cassette pressofuse in alluminio successivamente sabbiate o verniciate colore grigio RAL7035	Pareti lisce con spessore superiore a 3 mm pertanto adatte alla foratura e filettatura. Predisposizione all'applicazione sul fondo delle cassette di profilati tipo DIN 46277 o di morsettiere. Una o più viti interne per la messa a terra.	Nelle cassette sono ricavate guide per l'inserimento di schede o circuiti stampati. Possibilità di fissaggio delle cassette tramite dei fori esterni al perimetro di tenuta della guarnizione.	grigio	Le viti del coperchio sono in acciaio inox. Guarnizione in neoprene.	IP65	<div style="display: flex; justify-content: space-around;"> <div style="text-align: center;"> <p>-20°C</p> </div> <div style="text-align: center;"> <p>+100°C</p> </div> </div>	<p><b>CEI EN 60670</b></p> <p><b>CEI 23-48</b></p>
<i>Die-cast enclosures made of die-cast aluminium alloy and them sandblasted or varnished with grey RAL 7035.</i>	<i>Smooth walls have thickness more then 3 mm which therefore can be threaded. On their bottom is possible to fix sections type DIN 46277 or terminal boards. They are one more grounding screws inside.</i>	<i>They have one or more grounding screws inside. Moreover, outside guides inside the enclosures can be to insert printed circuits and boards.</i>	grey	Inspection cover's screws are made of stainless steel. Provided with neoprene gasket.			

disegno dimensionale / reference details



disegno dimensionale / reference details



## Cassette tipo EU

Box type EU



File: ELE188616CS



GOST-R

POCC IT.HB56.H01066

## Caratteristiche / Characteristics:

All'interno della cassetta sono predisposti dei fori per il fissaggio a parete della stessa e in alternativa si possono utilizzare dei piedini in dotazione applicabili sulla base esterna e orientabili per evitare impedimenti di posizionamento nel montaggio

In the box are prearranged a few holes for fixing on wall of it. In alternative it is possible to use a few supplied feet that can be applied on external base. They can be oriented in order to avoid impediments of positioning during assembling

Codice sabbiata Sandblasted code	Codice Code RAL7035	Tipo Type	Misura utile Useful measure							I	L	M	N	P	R	S
			A	B	H	C	D	E	F							
EU06038	EU06038X	A	62	62	44	56	56	31,0	33,0	35,0	66	66,0	40	25,0	-	6
EU07034	EU07034X	A	72	72	40	66	66	41,0	43,0	31,0	76	76,0	50	21,0	-	6
EU07048	EU07048X	A	72	72	54	66	66	41,0	43,0	45,0	76	76,0	50	35,0	-	6
EU08554	EU08554X	A	87	87	61	80	80	48,0	49,5	54,5	91	91,0	59	38,0	-	9
EU10054	EU10054X	A	102	102	61	95	95	63,0	64,4	55,0	106	106,0	74	38,0	-	9
EU10074	EU10074X	A	102	102	81	95	95	63,0	64,4	75,0	106	106,0	74	58,0	-	9
EU10534	EU10534X	A	107	57	41	101	51	75,5	27,5	34,0	109	59,0	85	21,0	-	6
EU10548	EU10548X	A	107	57	55	101	51	75,5	27,5	48,0	109	59,0	85	35,0	-	6
EU12034	EU12034X	A	122	75	41	115	68	83,0	38,0	34,5	126	78,5	94	18,0	-	9
EU12054	EU12054X	A	122	75	61	115	68	83,0	38,0	54,5	126	78,5	94	38,0	-	9
EU12068	EU12068X	A	122	75	75	115	68	83,0	38,0	68,5	126	78,5	94	52,0	-	9
EU13068	EU13068X	A	130	130	75	123	123	90,0	90,0	69,0	133	133,0	101	51,5	-	9
EU13084	EU13084X	A	130	130	91	123	123	90,0	90,0	85,0	133	133,0	101	67,5	-	9
EU15054	EU15054X	A	152	102	61	145	95	113,0	65,0	55,0	156	106,0	124	37,5	-	9
EU15074	EU15074X	A	152	102	81	145	95	113,0	65,0	75,0	156	106,0	124	57,5	-	9
EU20054	EU20054X	B	202	102	61	195	95	164,0	56,5	55,0	206	106,0	174	37,5	-	9
EU20074	EU20074X	B	202	102	81	195	95	164,0	56,5	75,0	206	106,0	174	57,5	-	9
EU20094	EU20094X	D	202	102	94	195	95	164,0	56,5	88,0	206	106,0	174	37,5	32,5	9
EU200114	EU200114X	D	202	102	114	195	95	164,0	56,5	108,0	206	106,0	174	57,5	32,5	9
EU25054	EU25054X	A	252	87	61	245	80	213,5	50,0	54,5	256	91,0	224	38,0	-	9
EU25068	EU25068X	A	252	87	75	245	80	213,5	50,0	69,0	256	91,0	224	51,5	-	9
EU26068	EU26068X	B	265	130	75	258	123	227,0	84,0	69,0	268	133,0	234	51,5	-	9
EU26084	EU26084X	B	265	130	91	258	123	227,0	84,0	85,0	268	133,0	234	67,5	-	9